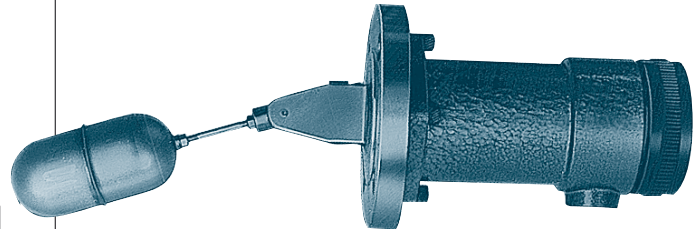


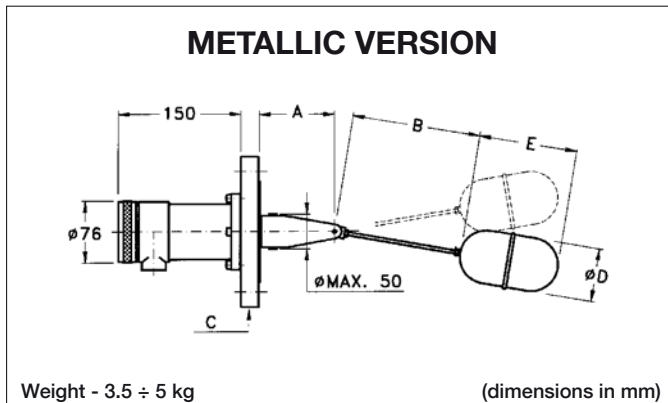
10 SERIES LEVEL SWITCHES

One-float magnetic opposition level switch for side mounting with one switching unit, for pressure up to 25 Bar, for temperatures up to 100°C and for fluids with a specific gravity of 0.7kg/dm³ min. Set point accuracy ± 5 mm.

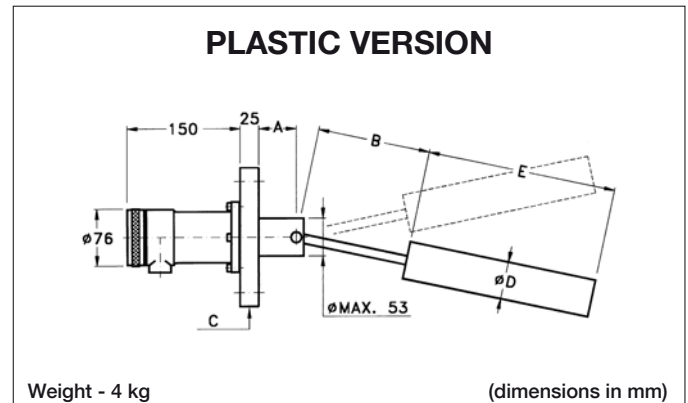


| STANDARD FLANGE CONNECTION (C) |
|--|
| UNI DN 50 PN 16 - PN 25 ⁽²⁾ / 2" ANSI 150 RF - 300 RF ⁽²⁾ ⁽¹⁾ |
| UNI DN 65 PN 16 - PN 25 ⁽²⁾ / 2 1/2" ANSI 150 RF - 300 RF ⁽²⁾ ⁽¹⁾ |
| UNI DN 80 PN 16 - PN 25/ 3" ANSI 150 RF - 300 RF ⁽²⁾ |
| SQUARE FLANGE 92 x 92 mm - PN 25 ⁽²⁾ |

1) For the plastic version see tolerance limits on next page.
2) Not available for plastic version.



| DIFFERENTIALS WITH SP.GR. = 1 kg/dm ³ | | | |
|--|--------|--------|---------|
| B | A = 45 | A = 95 | A = 145 |
| 100 | 60 | 30 | - |
| 150 | 80 | 40 | 25 |
| 200 | 100 | 50 | 31 |
| 250 | 120 | 60 | 37 |
| 300 | 140 | 70 | 43 |



| DIFFERENTIALS WITH SP.GR. = 1 kg/dm ³ | |
|--|--------|
| B | A = 50 |
| 150 | 80 |
| 250 | 110 |

Values of operation differentials refer to stem length **B** and to the support type **A**.

| FLOAT FOR METALLIC VERSION | | |
|----------------------------|-----|---|
| D | E | APPLICATIONS |
| 48 | 93 | With all flange connection types (SP.GR. 0,8 kg/dm ³ min.) |
| 68 | 120 | For UNI DN 65 - DN 80 (ANSI 2 1/2" - 3") flange only |

| FLOAT FOR PLASTIC VERSION | | |
|---------------------------|-----|---|
| D | E | APPLICATIONS |
| 50 | 250 | With all flange connection types (SP.GR. 1 kg/dm ³ min.) |

Dimensions and values in mm

MATERIALS

| CODE FOR: | MATERIALS | AISI 316 | PVC | MOPLEM | PVDF |
|-----------|--------------------------|----------|-----|--------|------|
| | Body | J | P | M | PF |
| | Float and internal parts | 2 | 5 | 6 | PF |

TOLERANCE LIMITS OF PLASTIC VERSION SWITCHES

| MATERIALS | | |
|-----------|--|--|
| PVC | | from 0°C to + 60°C; pressure 6 bar at 25°C; 4 bar at 35°C; 1 bar at 60°C |
| MOPLEM | | from 0°C to + 80°C; pressure 6 bar at 25°C; 4 bar at 45°C; 1 bar at 80°C |
| PVDF | | from -10°C to + 135°C; pressure 6 bar at 20°C; 4 bar at 65°C; 1 bar at 135°C |

SWITCHES

| | |
|-------------|--------------------------------------|
| Type | Dry switch |
| Load rating | 250 V a. c. 4 A 125 V d. c. 0,4 A |
| CODE | M1 |

ENCLOSURE

| | |
|-----------------------|------------|
| Type | Waterproof |
| Material | Aluminium |
| Electrical Connection | 1/2" GAS |
| Protection Degree | IP 55 |
| Code | WP |

HOW TO ORDER

Example: 10 - J - 2 - M1 - WP

| | |
|----|----------------------------------|
| 10 | model |
| J | AISI 316 body |
| 2 | AISI 316 float |
| M1 | dry microswitch 250 V a.c. - 5 A |
| WP | waterproof enclosure |

The following data are required: type of fluid, specific gravity, operating temperature and pressure.