



General Chemicals



Fine Chemicals



Petrochemicals



Nuclear and Navy



Cryogenic Service



Plastics and Polymers



Other Application

application: liquids liquids with solid particles  
high viscosity fluids gas

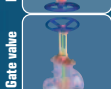
Globe Valve  
Y-Type/Welded design  
type 503N

# Globe Valve

## Y-Type/Welded design/type 503N

Globe valve

Control



### Features

- Welded body
- Full bore
- Solid or loose disc acc. to diameter
- Disc seating surface: hemispheric metal/metal or flat PTFE/metal
- Recessed body/bonnet gasket
- Rising non turning stem with outside screw and back-seat
- Bolted stuffing box, self adjusted with spring washers, repackable in service
- Position indicator
- Screwed-on or solid flanges, EN, ANSI, BS standards
- PED 97/23/EC compliant

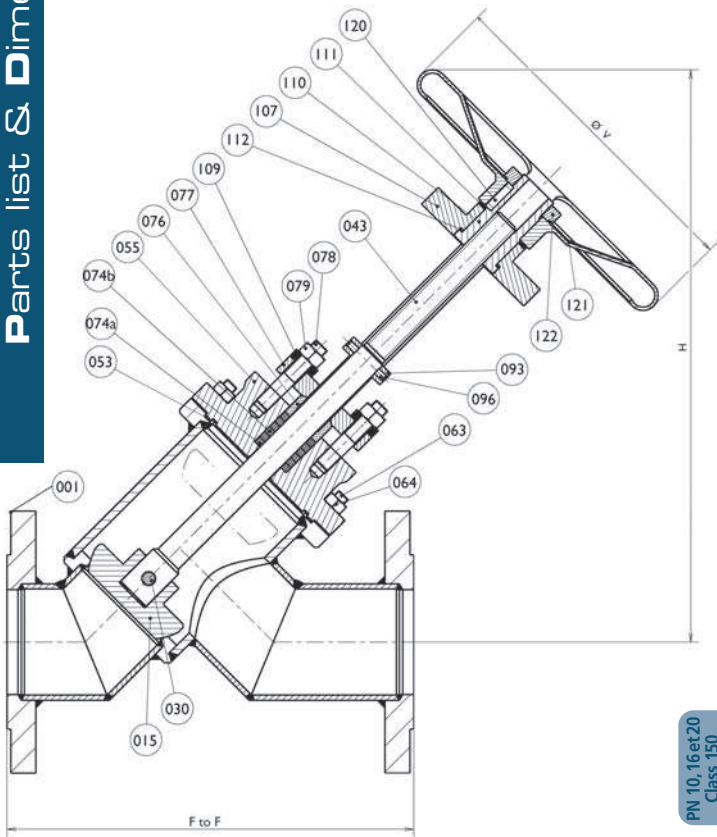
### Competitive advantages

- Y-type body
  - ⇒ *low pressure drop*
- Live loaded stuffing box packing
  - ⇒ *low maintenance*
  - ⇒ *better tightness*
- Repackable stuffing box (in position open)
  - ⇒ *No production stop*
- Stem with back-seat
  - ⇒ *Increased safety and longevity*
- Recessed body gasket
  - ⇒ *Increased safety*



Portée de joint:  
Ra 3.2-6.3





Design may change according to pressure or options



Globe valve, Y-type  
pneumatique actuator



Part n°	Part name	Material
1	Body	316 L
15	Disc	316 L
30	Pin	316 L
43	Stem	316 L
53	Body gasket	PTFE
55	Bonnet	316 L
63	Body stud	A4-70
64	Body nut	A4-70
74a	Packing	PTFE
74b	Packing	PTFE / Silk
76	Gland	316 L
77	Gland frange	Stainless steel
78	Gland stud	A4-70
79	Gland nut	A4-70
93	Opening indicator	Stainless steel
96	Indicator pin	Stainless steel
107	Bearing	Stainless Steel
109	Spring washer	Steel
110	Yoke nut	303
111	Upper thrust ring	Celoron
112	Lower thrust ring	Celoron
120	Handwheel key	Steel
121	Handwheel	Steel
122	Handwheel nut	Steel

DN	15	20	25	32	40	50	65	80	100	125	150	200	
PN 10, 16 et 20 Class 150	FtoF	130	150	160	180	200	230	290	310	350	400	480	600
	H	200	215	225	275	295	335	390	430	500	580	620	840
	Ø V	120	120	120	180	180	180	250	250	250	300	400	500
	Weight(kg)	4,2	4,8	5,7	8,8	11,3	14	18,8	27,1	32,8	45,2	65,6	110
PN 25	FtoF	130	150	160	180	200	230	290	310	350	400	480	600
	H	200	215	225	275	295	335	390	430	520	640	750	880
	Ø V	120	120	120	180	180	180	250	250	250	300	400	500
	Weight(kg)	4,3	4,9	5,9	9	11,6	14,4	19,3	31,2	38,7	53,7	76,3	133
PN 40, 50 Class 300	FtoF	150	150	160	180	200	230	290	310	350	400	480	600
	H	215	228	242	350	360	385	435	530	590	760	970	1100
	Ø V	120	120	120	180	180	250	250	300	400	500	600	750
	Weight(kg)	5,3	6,6	7,3	10,9	12,8	17	23,3	32,9	40,4	57,3	82	165

## OPTIONS

- Heating jacket (503C)
- Bellow sealed stem (509N)
- Other dimensions and pressure classes
- Other materials : austenitic Stainless Steel (304, 321, UB6...), Duplex, Hastelloy®, Incoloy®, Monel®, Inconel®, Titanium, Zirconium...
- Seating surfaces (seat and disc) hard faced with stellite
- Parabolic-shaped disc for flow control
- Connections acc. to other standards
- Body gasket and packings as per operating conditions
- Pneumatic, electric or hydraulic actuator
- Manual override
- TA-Luft version (double stuffing-box with intermediate lantern with leak detector)
- EN10204 3.1 Certificates ; ATEX

26 rue Paul Girod – Z.I. Bissy • 73000 Chambéry • France  
 Tél : + 33 (0)4 79 44 59 00 • Fax : + 33 (0)4 79 44 59 01  
 E-mail : info@guichon.com • www.guichon.com