

VBB SERIES TUBE LEVEL GAUGES

This type of level indicators display the level of the fluid through a borosilicate glass tube, which is supported by a metal frame and equipped with external guards. They are installed on the vessel sides by on-off cock gauges.

Tube indicators are used in open or closed vessels with pressure values that are typically lower than 12 bars, temperature values up to 160°C and measurement ranges up to 3000 mm (beyond the tubes they are joined through intermediate unions).

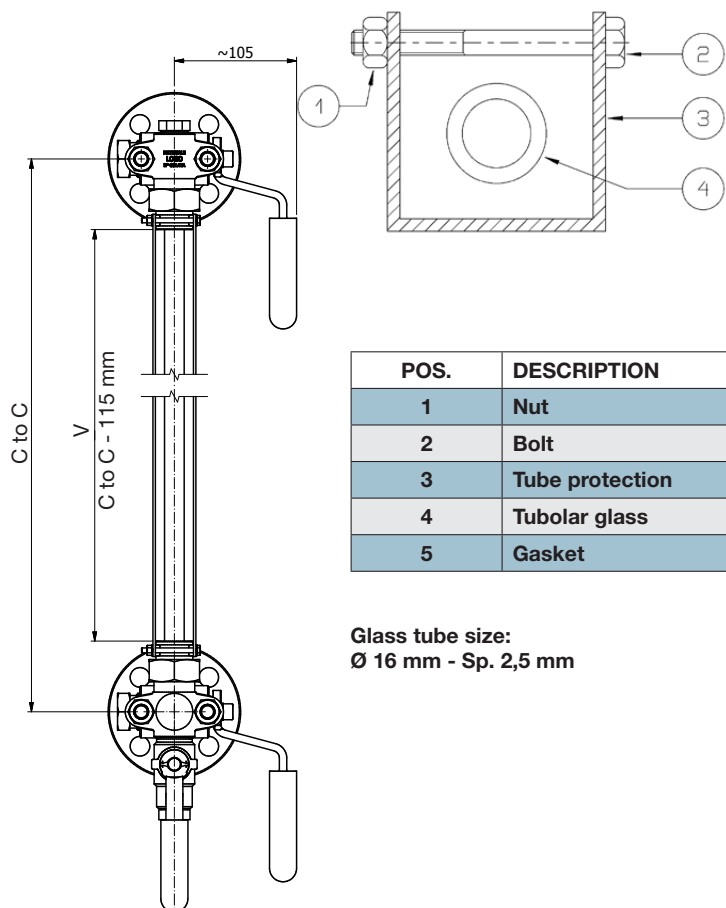
APPLICATIONS AND TECHNICAL DATA

Tube level indicators are used in various industrial processes, especially in the chemical, petrochemical, power production, metal and steel, water treatment, food, paper industries and the like. They are used to carry out surveys on clean fluids with low pressures. The standard version has AISI 304 protection guard, whereas other materials are provided upon request. The standard version rating is PN 12.

OPTIONS

- Safety ball check in AISI 316 (in the event of the crystal getting broken, it avoids fluid losses).
- Graduated scale
- Drain and vent valves.

MOD. VBB (PN 12) TUBE INDICATOR

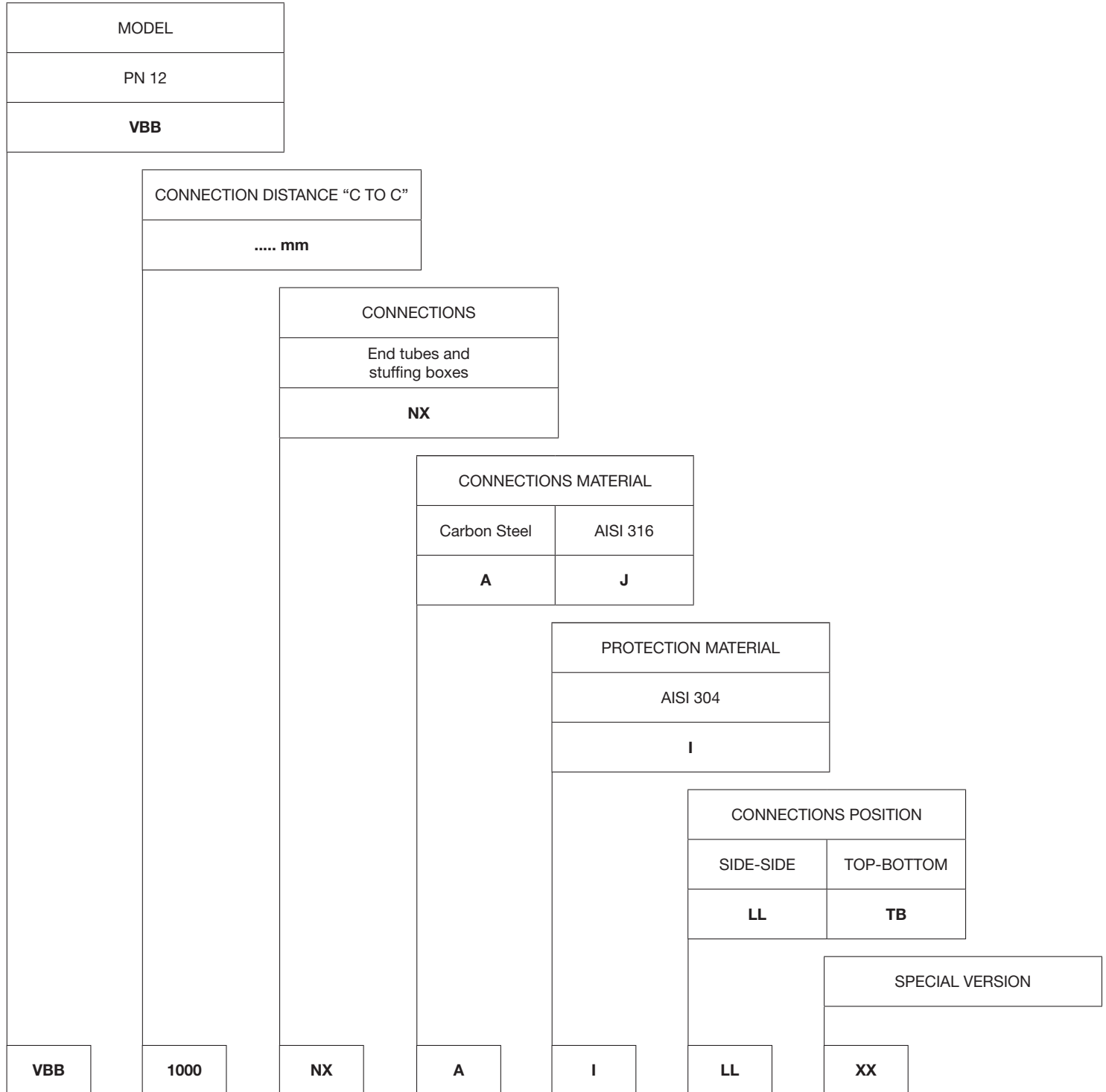




GENERAL FEATURES:

- The connections between the level and the cocks are made by using end tubes and stuffing boxes (NX).
- The position of the lever cock handles can be Right or Left.
- Process connections can be flanged (UNI - ANSI - DIN), threaded (GAS M / F - NPT M / F) and Socket Welding (SW).
- EPDM gasket
- The glass protection is in AISI 304

HOW TO ORDER



The following data are also requested:
fluid, operating temperature and pressure and the connections distance.